



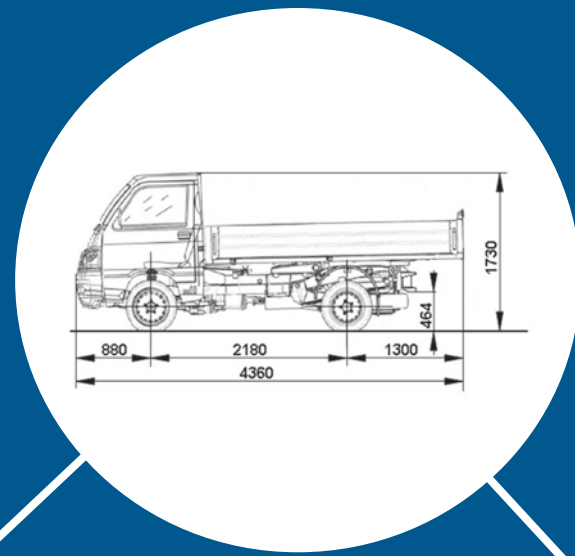
New Porter Range





URBAN LEADER

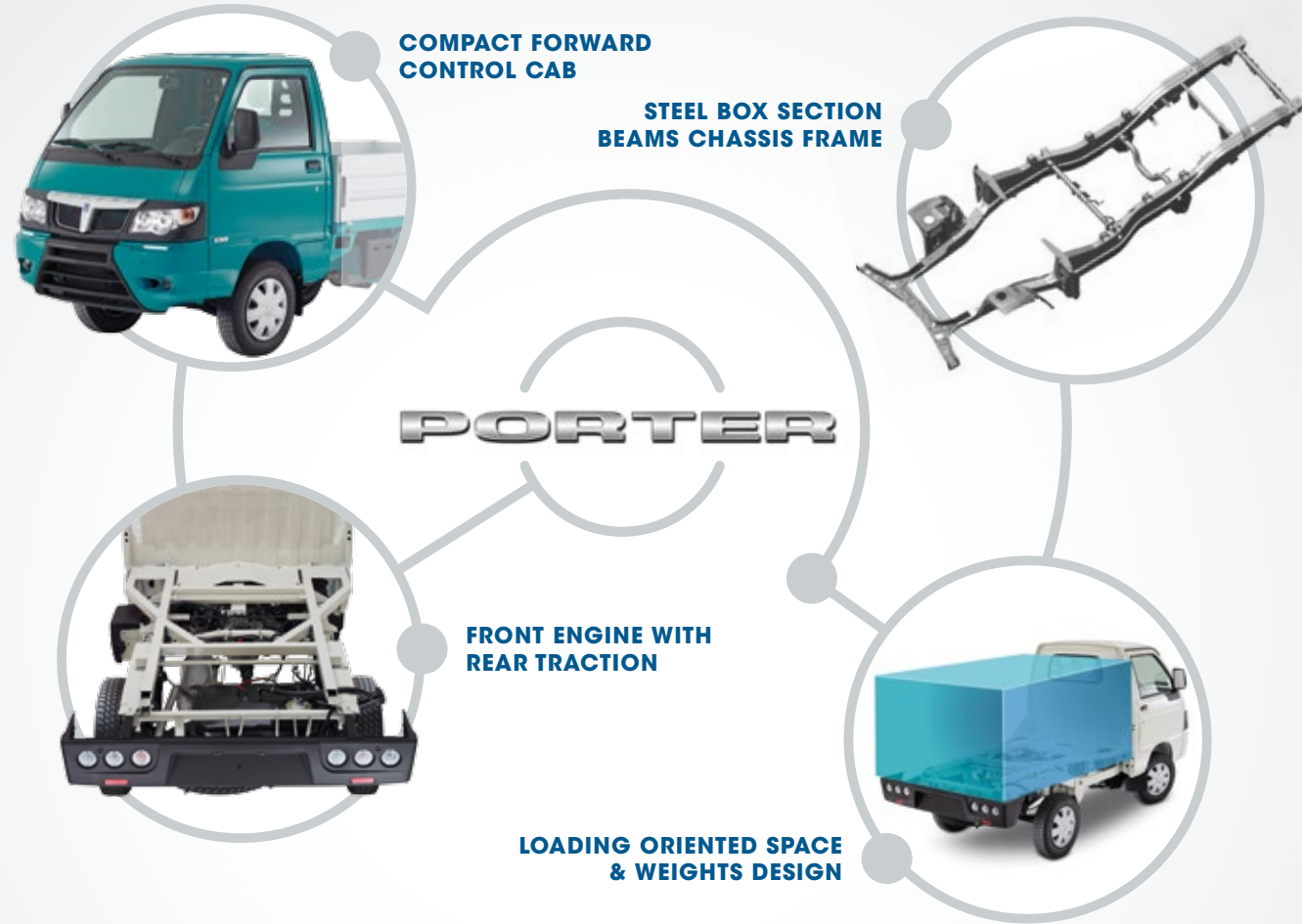
Porter is specifically designed to lead the professional short-haulage segment by means of a range of agile, rentable and high payload vehicles.



SMALL SIZE, BIG PERFORMANCE

A professional multipurpose tool conceived as a truck to reliably accomplish a large variety of tasks, hard works included, with compact dimensions and best in class steering radius of less than 4 meters to assure top maneuverability.

THE DISTINCTIVE CHARACTERISTICS



THE BENEFITS



Best in class **loading performance**: up to 65% of total length reserved to cargo and up to 1.2 ton payload on 2.2 ton gw



Robustness and **durability** for longer life time



Unmatchable **driveability** for reduced working time: less than 4 m turning radius



High **grip** and perfect **balance** for safer dynamic behaviour in all loading conditions



MAXXI VERSION

A REINFORCED CHASSIS, A TWIN REAR WHEELS AND A LIMITED SLIP DIFFERENTIAL DISTINGUISH THE MAXXI VERSION.

Available also in High Slope variant, specifically designed for heavy duties on uphill gradients: 26% pull-away power vs. 23% of the normal version.

HS

THE BENEFITS



Enhanced **load capacity**



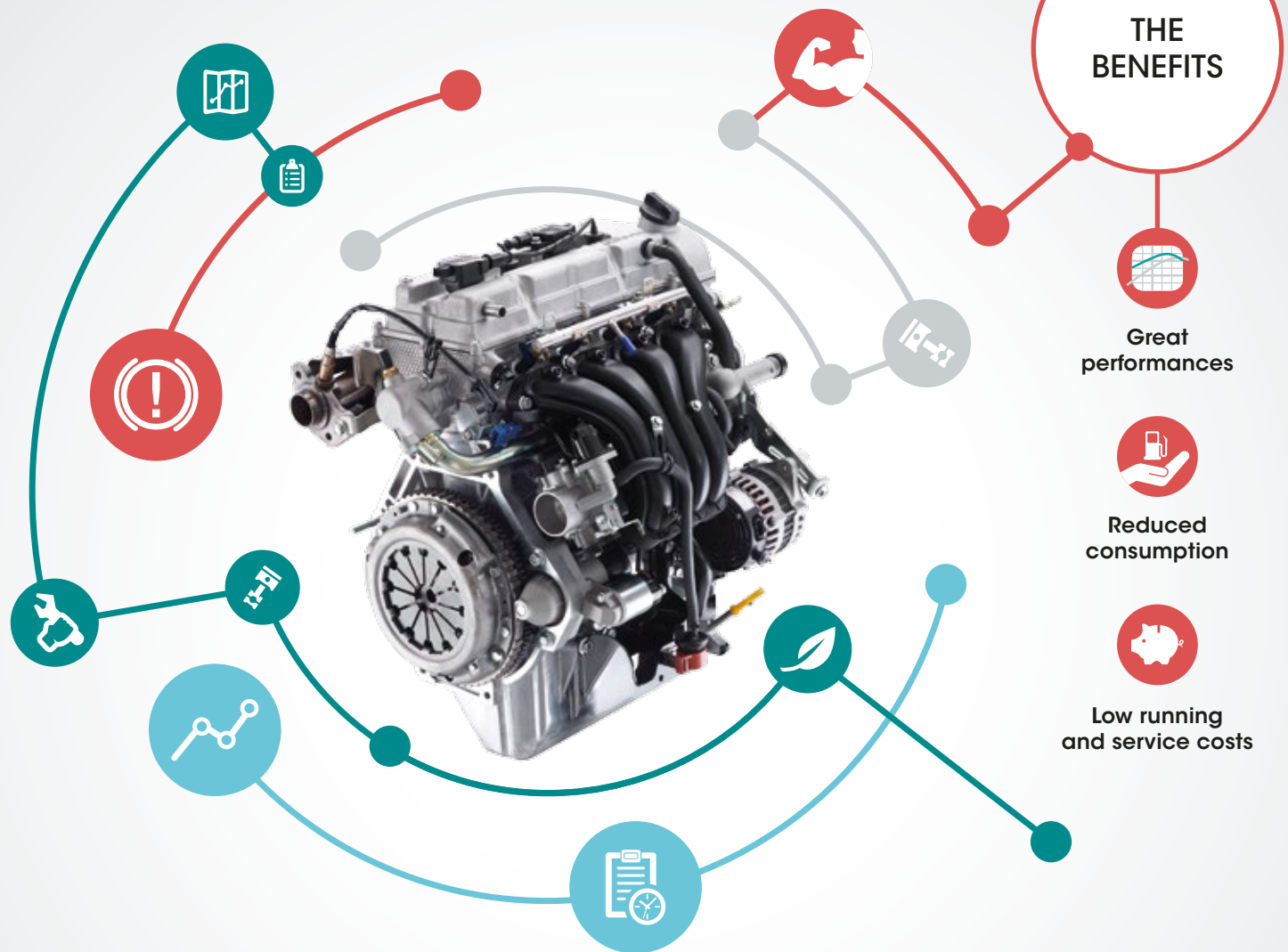
Greater **stability** when fully loaded



Sure-footed traction



PIAGGIO MultiTech



THE BENEFITS

Great performances

Reduced consumption

Low running and service costs



Small displacement, light, compact and performing unit.
The completely new MultiTech engine and is a 1,299 cc dual camshaft four cylinder unit with a 16 valve chain driven valve train, specifically developed to meet all the requisites of the Euro 6 standard, offering efficiency, durability and low total costs.

ECOSOLUTION a wise choice

The brand new Multitech engine is the technological base on which the true Bifuel version have been developed in compliance with the Euro 6 emission standards. The petrol tank standard dimensions assure an enhanced range for long distance routes.

THE VARIANTS



ECOPOWER

LPG is one of the most economic fuels on the market today, is completely benzene and particle free and produces minimum pollution emissions.



GREENPOWER

Methane is an excellent, low emissions alternative fuel, with significant potential for expansion, particularly for use in pollution sensitive areas.

THE BENEFITS



Reduced fuel costs



Access to zones subject to antipollution traffic restrictions

	MULTITECH	ECOPOWER	GREENPOWER*
Engine	4 cylinders, 1,299 cc Multipoint indirect injection - Euro 6		
Fuel	Petrol	Petrol + LPG	Petrol + CNG
Power*	61 kW @ 6,000 rpm	60 kW @ 6,000 rpm	54 kW @ 6,000 rpm
Torque*	112 Nm @ 4,300 rpm	108 Nm @ 4,300 rpm	97 Nm @ 4,300 rpm
Max Speed*	130 km/h		
Fuel consumption (combined)*	6.5 l x 100 km	8.6 l x 100 km	7.0 nm ³ x 100 km
CO2 emission*	150	139	125
Total tank capacity*	35 + 5 l Petrol	35 + 5 l Petrol; 24 + 6 l lpg	35 + 5 l Petrol; 55 Kg cng

*referred to the Porter Deck version

THE RANGE

Full flexibility to adapt to every need

PORTER



DECK

- All flat deck with alloy dropsides and tailboard
- Total minimum length of 3.5 m
- Loading space up to 2.7 m
- Payload up to 1,120 kg



TIPPER

- All flat deck with alloy sides and hydraulic tipper system (45° tip angle)
- Total minimum length of 3.5 m
- Loading space up to 2.7 m
- Payload up to 1,060 kg



VAN

- Payload up to 730 Kg
- Load volume of over 3 m³
- Sliding doors on both sides as standard



GLASS

- Four-seater compact shuttle
- Total payload up to 690 kg
- Load volume of over 1.4 m³



CHASSIS

Top flexibility for ad hoc projects tailored on the specific customer's needs: up to 50 on shelf outfitting possibilities

Top equipments for top safety and comfort



The **ESC system** steps in the event of a skid, controlling engine power and braking the individual wheels with different force to restore the stability of the vehicle in oversteer and understeer situations caused by entering a curve incorrectly or by sudden changes in trajectory. ESC adds to an already comprehensive suite of safety systems (**ABS, BAS and EBD**).

The Porter standard package includes ignition key with built-in **immobilizer**, refined fabric upholstery, ergonomic door opening handles, electronic power steering (**EPS**), easy to read instrument cluster graphic,



athermic glazing windows for enhanced heat insulation, a series of practical stowage bins and the in stallation ready for an audio system (with mp3 playback) and a satellite navigator.

EXTRA

Extra outfitting variant features body-coloured bumpers with integrated fog lights, electric power windows, electronic anti-theft system, parking sensors*, central locking and a radio, CD and MP3 player.

* not available on the Chassis model and on the Maxxi versions

MORE INFO AT
www.piaggioveicolicommerciali.com

DECK

A masterpiece of space optimization

PORTER



At just 750 mm above ground, the large and all flat load deck is easily accessible and fully exploitable. The three alloy sideboards and tailboard fold down completely to make loading and unloading operations extremely easy even with bulky goods.



ALSO AVAILABLE



MAXXI
VERSION



PAYLOAD 1,120 KG



ECOPOWER



GREENPOWER

PORTER (short deck)

PORTER (long deck)

MAXXI**

	PORTER (short deck)		PORTER (long deck)			MAXXI**	
	MultiTech	MultiTech	Ecopower	Greenpower	MultiTech	Ecopower	Greenpower
Length x Width x Height	3,420 x 1,395 x 1,705 mm		3,775 x 1,460 x 1,705 mm			4,360 x 1,560 x 1,815 mm	
Wheelbase	1,830 mm		1,830 mm			2,180 mm	
Max. load bed space	1,330 x 1,980 mm		1,385 x 2,320 mm			1,505 x 2,775 mm	
Side height	290 mm		400 mm			350 mm	
Gross Vehicle Weight	1,700 kg*		1,700 kg*			2,200 kg	
Payload	805 kg	830 kg	795 kg	720 kg	1,120 kg	1,070 kg	1,010 kg

* available also in 1,500 kg GVW version (200 kg less payload)

** available also in HS version (GreenPower excluded)

MORE INFO AT
www.piaggioveicolicommerciali.com

TIPPER

Making hard work easier

PORTER



A high performance and versatile solution combining the impressive load capacity of the all flat deck with the practicality of the 45° angle tipper system.

The dual function (manually or automatically) tailboard opening makes the materials downloading simple, sure and quick. All the alloy sides of the platform drop completely for easy access to the deck.



ALSO AVAILABLE



MAXXI
VERSION



PAYLOAD 1,060 KG



ECOPOWER



GREENPOWER

PORTER

MAXXI (short deck)

MAXXI (long deck)

	MultiTech	Ecopower	MultiTech**	Ecopower	Greenpower	MultiTech**	Ecopower	Greenpower
Length x Width x Height	3,565 x 1,460 x 1,835 mm		3,830 x 1,560 x 1,815 mm			4,360 x 1,560 x 1,730 mm		
Wheelbase	1,830 mm		2,180 mm			2,180 mm		
Max. load bed space	1,405 x 1,940 mm		1,505 x 2,345 mm			1,505 x 2,775 mm		
Side height	400 mm		350 mm			350 mm		
Gross Vehicle Weight	1,700 kg*		2,200 kg			2,200 kg		
Payload	790 kg	740 kg	1,060 kg	1,000 kg	940 kg	1,040 kg	990 kg	925 kg

* available also in 1.5 GTW version (200 kg less payload)

** available also in HS version

MORE INFO AT
www.piaggioveicolicommerciali.com

VAN & GLASS

Downtown specialist

PORTER

GLASS

The ideal solution for urban combined transport needs.

COMPACTNESS

1,395 x 3,400 x 1,870 m

PRACTICALITY

Double sliding doors as standard

MANEUVRABILITY

Less than 4 m turning radius

VAN

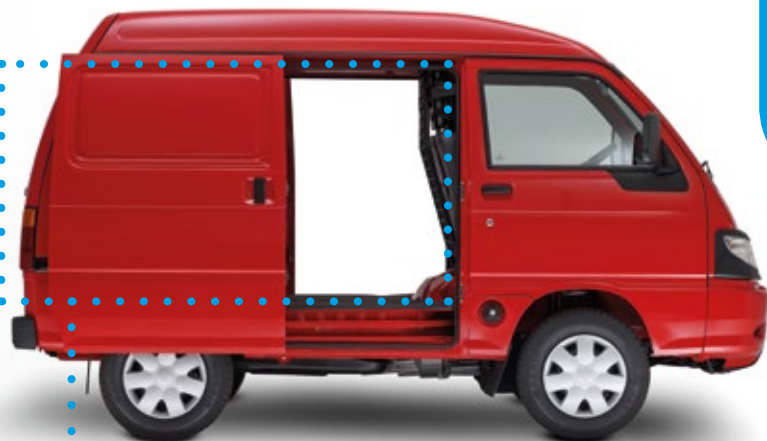
The ideal partner for urban door to door fast deliveries.



Cargo volume 1.4 m³



Easy access to the rear comfortable seats



Cargo volume 3 m³ and 730 Kg max payload

ALSO AVAILABLE



ECOPOWER

With its dimensions and its agility Porter van range is the most efficient compact player in its category, no matter if you carry just goods or your crew too.

TOP FLEXIBILITY

It rapidly adapts to any specific needs thanks to its easy to outfit regular cargo space.



HACCP compliant



Mobile office or workshop



VAN

	MultiTech	Ecopower
Length x Width x Height	3,400 x 1,395 x 1,870 mm	
Wheelbase	1,810 mm	
Cargo dimensions (LxWxH)	1,910 x 1,270 x 1,310 mm	
Cargo Volume	3 m ³	
Gross Vehicle Weight	1,700 kg*	
Payload	730 kg	720 kg

* available also in 1.5 GTW version (200kg less payload)
 Note: the Glass payload is inclusive of the crew

GLASS

	MultiTech	Ecopower
Length x Width x Height	3,400 x 1,395 x 1,870 mm	
Wheelbase	1,810 mm	
Cargo dimensions (LxWxH)	920 x 1,270 x 1,310 mm	
Cargo Volume	1.4 m ³	
Gross Vehicle Weight	1,700 kg*	
Payload	690 kg	690 kg

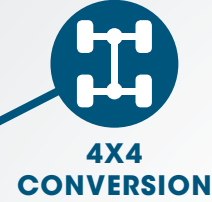
MORE INFO AT
www.piaggioveicolicommerciali.com

CHASSIS

Versatility of top level

The Euro 6 engine has a powerful **PTO** with an output of up **to 6 kW** offering even more performance for the specialized body module. What's more, the **electronic interface** ensures total **integration** between the vehicle and the body module, for optimized performance in all situations (e.g. increased idle speed with transmission in neutral).

PORTER



ALSO AVAILABLE

MAXXI
VERSION



**OUTFIT WEIGHT
UP TO 1 TON**

PORTER	MultiTech	Ecopower	Greenpower
Length x Width x Height	3,555 x 1,395 x 1,705 mm		
Wheelbase	1,830 mm		
Max Load Capacity	850 kg*	785 kg*	720 kg*

MAXXI**	MultiTech	Ecopower	Greenpower
Length x Width x Height	3,775 x 1,450 x 1,730 mm		
Wheelbase	2,180 mm		
Max Load Capacity	1,120 kg	1,070 kg	1,010 kg

* available also in 1.5 GVW version (200 kg less payload)
** available also in HS version (GreenPower excluded)

A NO STOP WORKER

- ✓ LOW RUNNING COSTS (NO FUEL CONSUMPTION AND LONG LIFE TIME BATTERIES)
- ✓ GREAT OPERATING RANGE AND FREE ACCESS TO ZONES SUBJECT TO ANTIPOLLUTION TRAFFIC RESTRICTIONS
- ✓ COMPLETE PORTER RANGE MODELS AVAILABILITY



Since its birth in **1995** Porter Electric Power is the ideal work partner for getting about the city centre with ease. Continuously evolved, it now has a technologically advanced motor with **separate energising circuit** which, together with the **optimized control driver** and signal transmission wiring and software, ensures increased smoothness and comfort, precise power control during starting and pickup, less heat generation and more efficient management of the available energy.

TECHNICAL SPECIFICATIONS

Engine	Separate excitation direct current brush engine
Fuel system	Electric
Nominal power	11 kW
Nominal torque	55 Nm at 1,800 rpm
Insulation Class	(F) Tmax=100°C ±15°C
Env. Protection Rating	IP20
Max speed	55 Km/h
Max range	up to 98 Km

TRACTION BATTERIES

Type	Lead Gel
Battery charger input voltage	220 V
Nominal energy	17 kWh
Battery charger type	On-board
Battery charger power	2 kW
Time for complete charge	8 hours
Max recharge cycles (estimate)	800

GEARBOX

Type	Continuously variable transmission
No. of ratios	Forward and reverse

Colour Range Porter • Porter Maxxi



Azure bay



Blue Action



Orange



Red Sprint



White Silk

The Piaggio Commercial Vehicles Service is always by your side when you need it: accompanying you during your working day to give you the best service possible, always.

CUSTOMER CARE

Piaggio Commercial Vehicles Customer Care: a dedicated service created to listen to your needs and opinions

ROADSIDE RECOVERY SERVICE

Piaggio Commercial Vehicles Roadside Recovery: a dedicated service on call 24 hours a day

The manufacturer reserves the right to modify the technical characteristics and appearance of its products at any time without prior notification. Original Piaggio spare parts offer the certainty of guaranteed quality and will keep your vehicle in peak working condition.

COMPANY WITH
QUALITY SYSTEM
CERTIFIED BY DNV
= ISO 9001 =

COMPANY WITH
ENVIRONMENTAL SYSTEM
CERTIFIED BY DNV
= ISO 14001 =

COMPANY WITH
SAFETY SYSTEM
CERTIFIED BY DNV
= OHSAS 18001 =

2 YEAR'S
guarantee

2 YEAR'S
roadside assistance

as indicated in brochures

DEALER'S STAMP

The brand  is the property of Piaggio & C spa



www.piaggiocommercialvehicles.com