

# Technical information Porter Electric Power



ENGINE	
Engine	Separate excitation direct current brush engine
Fuel system	Electric
Nominal power	10,5 kW 96 Volt
Nominal torque	55 Nm at 1.800 rpm
Peak torque	215 Nm
Operating current	124 A
Insulation Class	F in accordance with CEI 15-26
Environmental Protection Rating	IP20
Max speed	55 km/h
Max range (WLTP cycle)	up to 74km

TRACTION BATTERIES	
Type	Lead Gel
Battery charger input voltage	220 V
Rated capacity	17 kWh
Battery charger type	On-board
Battery charger power	2 kW
Time for complete charge	8 hours
Max recharge cycles (estimate)	800

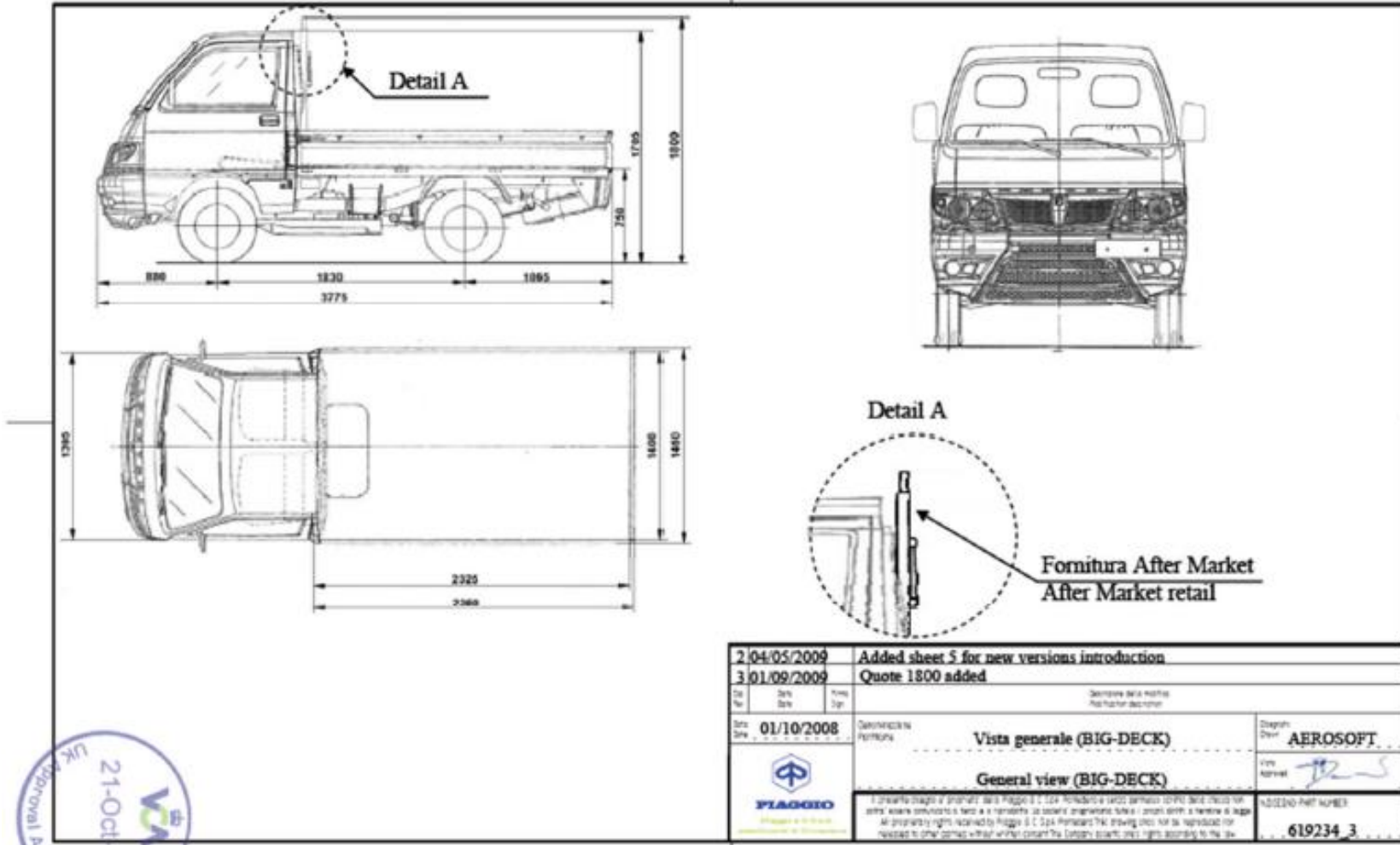
GEARBOX	
Type	Direct connection to the rear differential
No. of ratios	Forward and reverse

OTHER CHARACTERISTICS	
Maximum gradient fully loaded	18%
Cooling system	Air

DIMENSIONS	Chassis-cab	Long Deck	Tipper Deck	Van	Window van
Length (mm)	3.555	3.775	3.565	3.400	
Width (mm)	1.395	1.460		1.395	
Height (mm)	1.705	1.705	1.705	1.870	
Wheelbase (mm)	1.830	1.830		1.810	
Front overhang (mm)	880				
Rear overhang (mm)	845	1.065	855	710	
Front track (mm)	1.205			1.210	
Rear track (mm)	1.220				
Load deck (mm)	-	1.400x2.325	1.400x1.930	1.210x1.910	1.210x920
Gross Vehicle Weight	1,8 ton				
Payload	*	520	450	470	430

*\*dependent on limitations of special equipment configuration*

# Porter Electric Long Deck



**Detail A**

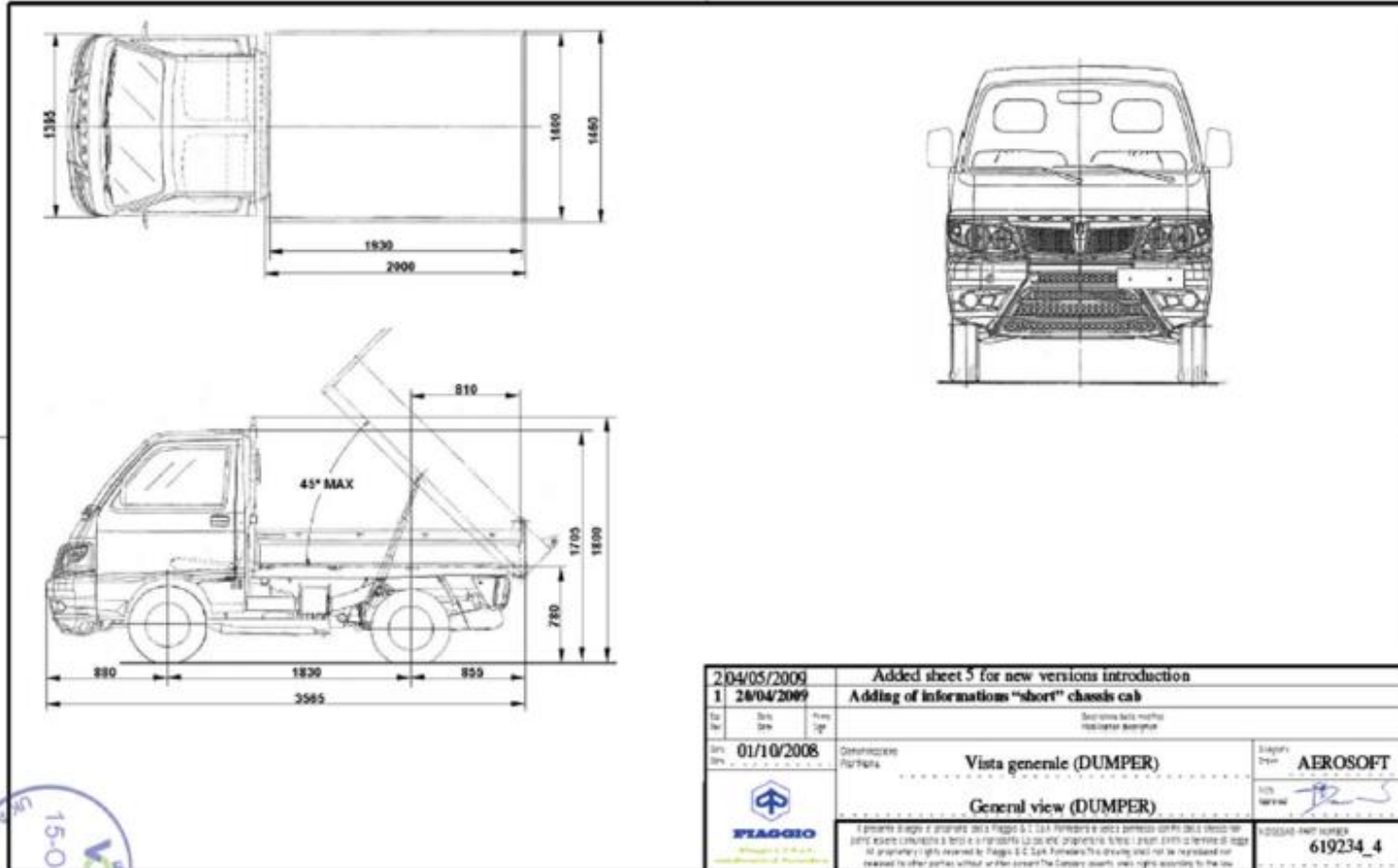
**Detail A**

**Fornitura After Market**  
**After Market retail**

2/04/05/2009	Added sheet 5 for new versions introduction		
3/01/09/2009	Quote 1800 added		
01/10/2008	Descrizione Partitura	Vista generale (BIG-DECK)	Disegn. Dott. AEROSOFT
		General view (BIG-DECK)	File Format
			619234_3

UK Approval / Aut  
21-Oct-11  
V3

# Porter Electric Tipper Deck

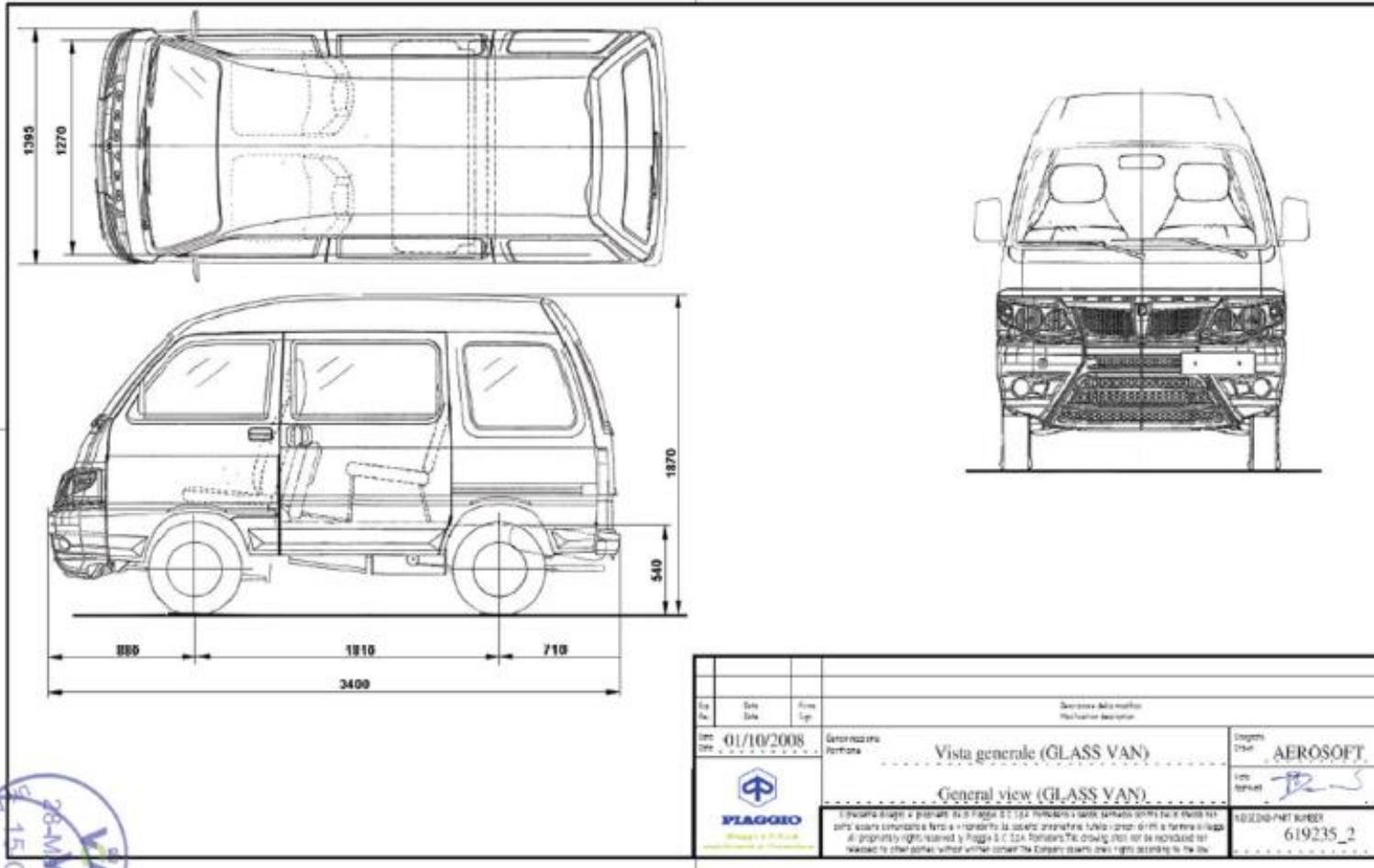


15-01-0  


20/04/2009		Added sheet 5 for new versions introduction	
1		Adding of informations "short" chassis cab	
Rev	Date	Rev	Descrizione
			Descrizione della modifica
			Modificatore
Rev	Date	Descrizione	Platforma
01/10/2008		Vista generale (DUMPER)	
		General view (DUMPER)	
		Piaggio Type: <b>AEROSOFT</b> Rev: <i>[Signature]</i>	
È proprietà di Piaggio & Fratelli S.p.A. e di Piaggio & C. S.p.A. e non può essere riprodotta, diffusa o utilizzata in alcun modo senza permesso scritto dalla Piaggio & Fratelli S.p.A. e di Piaggio & C. S.p.A. Tutti i diritti sono riservati. All rights reserved by Piaggio & C. S.p.A. Reproduction, distribution or use in any form without written consent of Piaggio & Fratelli S.p.A. and Piaggio & C. S.p.A. is prohibited. All rights reserved.		SUCCESSIVE PART NUMBER <b>619234_4</b>	



# Porter Electric Window Van



28-M  
15-C

# Porter Electric Chassis-cab

