

Technische informatie Porter Euro 6 - Kipper

| Motor | MultiTech | EcoPower | GreenPower |
|------------------------------------|--|--|--|
| Motor | 4 cylinders, 1.299 cc Multipoint indirect injection - Euro 6 | 4 cylinders, 1.299 cc Multipoint indirect injection - Euro 6 | 4 cylinders, 1.299 cc Multipoint indirect injection - Euro 6 |
| Brandstof | benzine | benzine + LPG | benzine + CNG |
| Max Vermogen* | 61 kW @ 6.000 rpm | 60 kW @ 6.000 rpm | 54 kW @ 6.000 rpm |
| Max Koppel* | 112 Nm @ 4.300 rpm | 108 Nm @ 4.300 rpm | 97 Nm @ 4.300 rpm |
| Topsnelheid* | 130 km/h | 130 km/h | 130 km/h |
| Brandstof Verbruik (combi)* | 6,5l x 100km | 8,6l x 100km | 7,0nm ³ x 100km |
| CO2 emission* | 150 | 139 | 125 |
| Totaal Tank inhoud* | 40l | 40l benzine + 30l lpg | 40l benzine + 55kg methaan |

*van toepassing voor Porter Deck versie

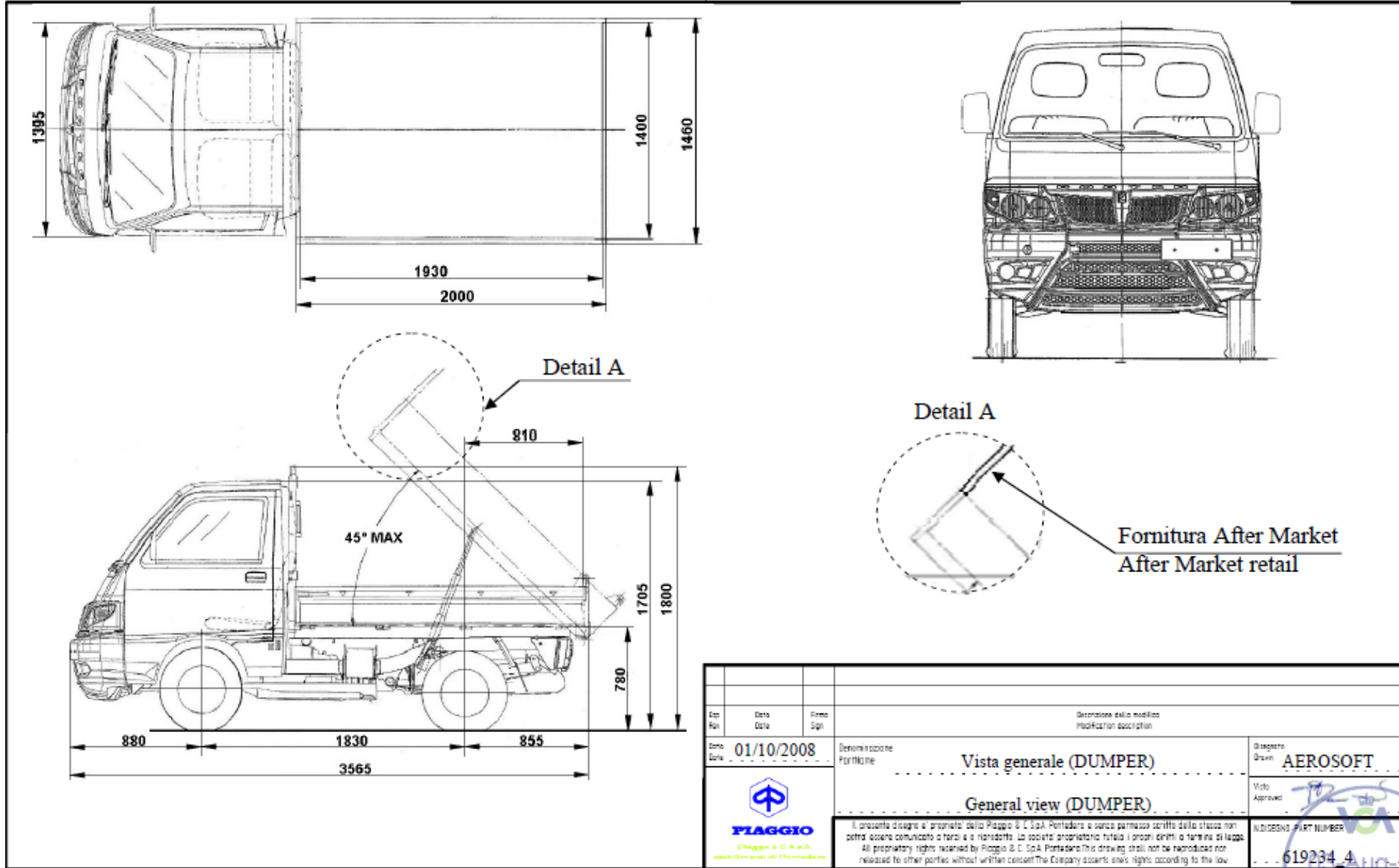
| RANGE | PORTER KIPPER | | PORTER MAXXI KORT | | | PORTER MAXXI LANG | | |
|----------------------------------|----------------------|----------|----------------------|----------|------------|----------------------|----------|------------|
| | MultiTech | Ecopower | MultiTech** | EcoPower | GreenPower | MultiTech** | EcoPower | GreenPower |
| Lengte x Breedte x Hoogte | 3.655x1.460x1.835 mm | | 3.830x1.560x1.815 mm | | | 4.360x1.560x1.815 mm | | |
| Wielbasis | 1.830 mm | | 2.180 mm | | | 2.180 mm | | |
| Laadruimte oppervlak | 1.405x1.940 mm | | 1.505x2.345 mm | | | 1.505x2.775 mm | | |
| Zijkant hoogte | 400 mm | | 350 mm | | | 350 mm | | |
| Max Totaal gewicht | 1.700kg* | | 2.200kg | | | 2.200kg | | |
| Laadvermogen | 790 kg | 740 kg | 1.060 kg | 1.000 kg | 940 kg | 1.040 kg | 990 kg | 935 kg |

*ook beschikbaar in 1.5 GTW versie (200kg minder laadvermogen)

**ook beschikbaar in HS versie

Porter Kipper

N1 Homologation Class



| | | | | |
|---|------------|-------|--|-----------------------|
| Rev | Date | Firma | Descrizione della modifica Modification description | |
| 01 | 01/10/2008 | | Denominazione PortName | Disegnato AEROSOFT |
| | | | Vista generale (DUMPER) General view (DUMPER) | |
| <small>Il presente disegno è proprietà della Piaggio & C. S.p.A. Portatore e senza permesso scritto dello stesso non potrà essere comunicato a terzi e/o riprodotto. La società proprietaria tutela i propri diritti a termine di legge. All proprietary rights reserved by Piaggio & C. S.p.A. Portatore. This drawing shall not be reproduced nor released to other parties without written consent. The Company asserts one's rights according to the law.</small> | | | <small>NUMERO PART NUMBER</small> 619234_4 | |

Porter Kipper - Maxxi Kort/Lang

N1 Homologation Class

